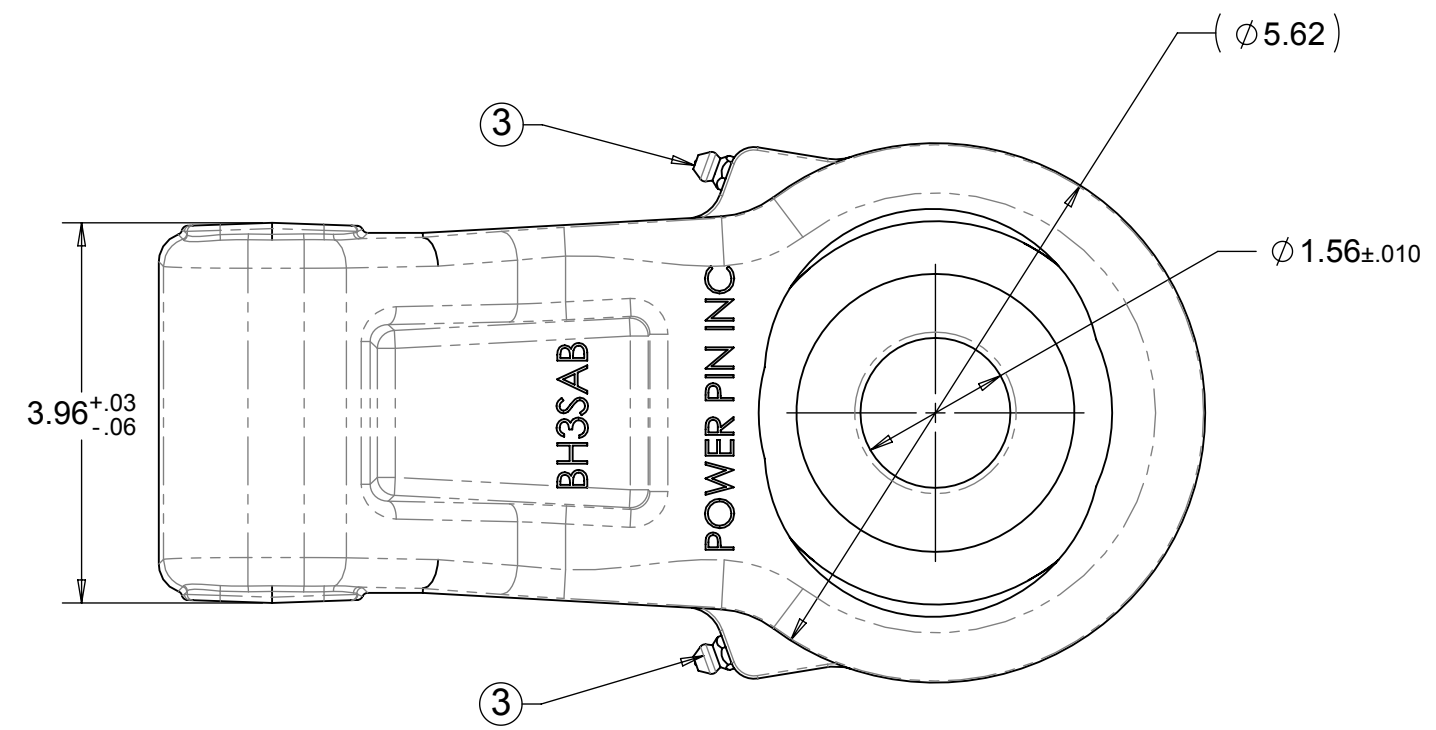
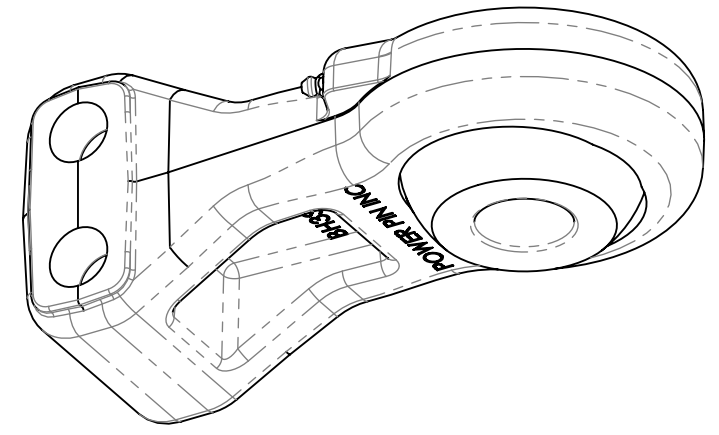
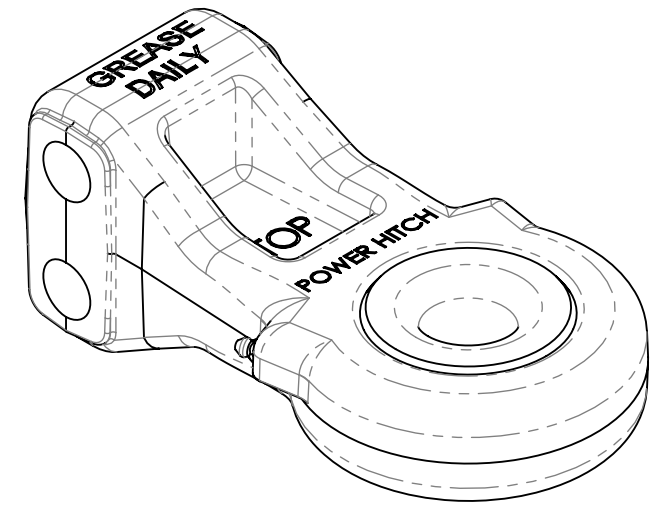
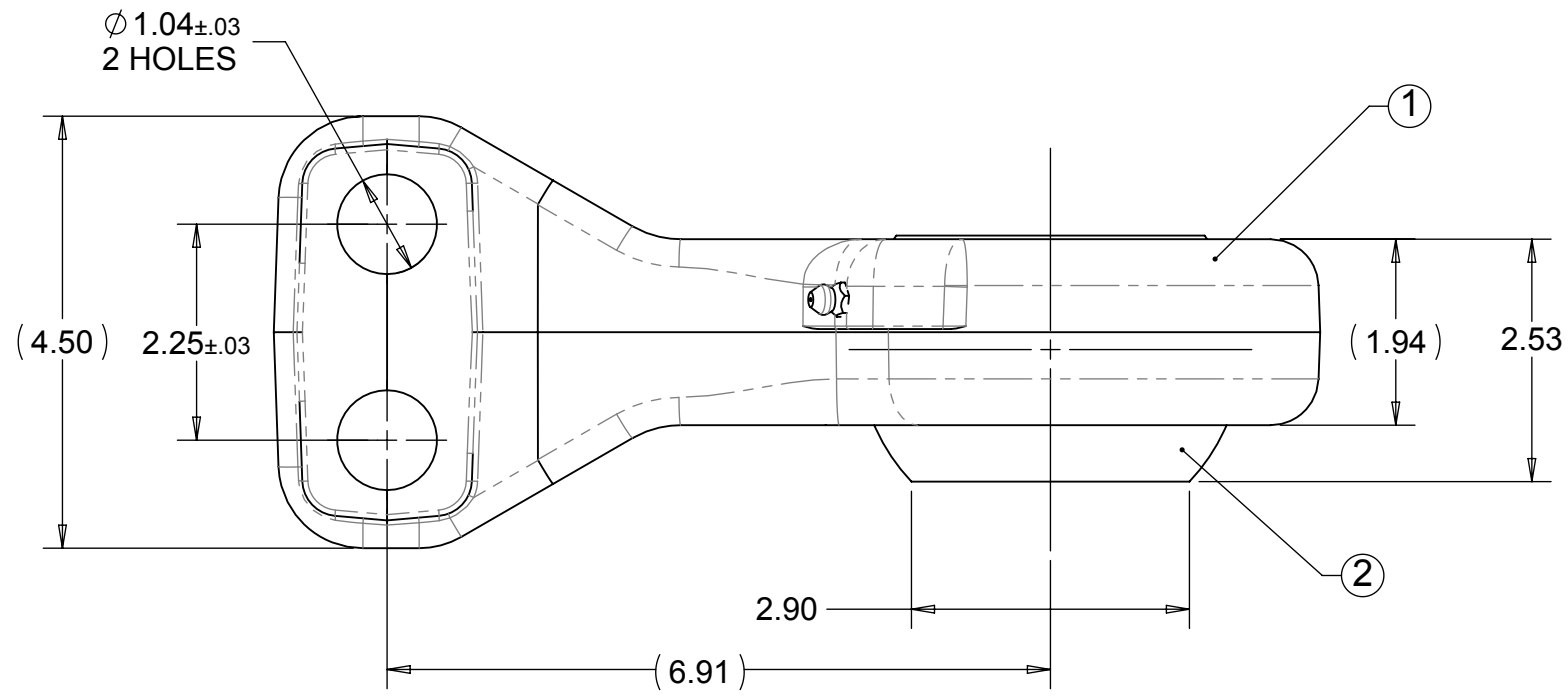


REVISIONS			
REV.	DATE	REVISION	APPROVED



ITEM NO.	PART OR IDENTIFYING NO.	NOMENCLATURE OR DESCRIPTION	MATERIAL SPECIFICATION	QTY REQD
3	HM29	.25 - 28 STRAIGHT THREAD	STEEL	2
2	HM32B	1.50" ID HARDENED SPHERICAL BUSHING	STEEL	1
1	BH3SAB	CAT.3 BASE HITCH	GRADE 3 ADI	1

UNLESS OTHERWISE SPECIFIED:
 DIMENSIONS ARE IN INCHES
 TOLERANCES:
 FRACTIONAL ± 1/32
 ANGULAR: MACH ± 1° BEND ±
 TWO PLACE DECIMAL ±.030
 THREE PLACE DECIMAL ±.015

INTERPRET GEOMETRIC TOLERANCING PER:
 MATERIAL GRADE 3 ADI
 FINISH
 DO NOT SCALE DRAWING

NAME	DATE
DRAWN LW	Dec11/12
CHECKED	
ENG APPR.	
MFG APPR.	
Q.A.	

POWER PIN INC.

TITLE: **CAT.3 BALL HITCH ASSEMBLY**

SIZE **B** DWG. NO. **BH3SABA** REV **0**

SCALE: 1:2 WEIGHT: 25.5 LB. SHEET 1 OF 1